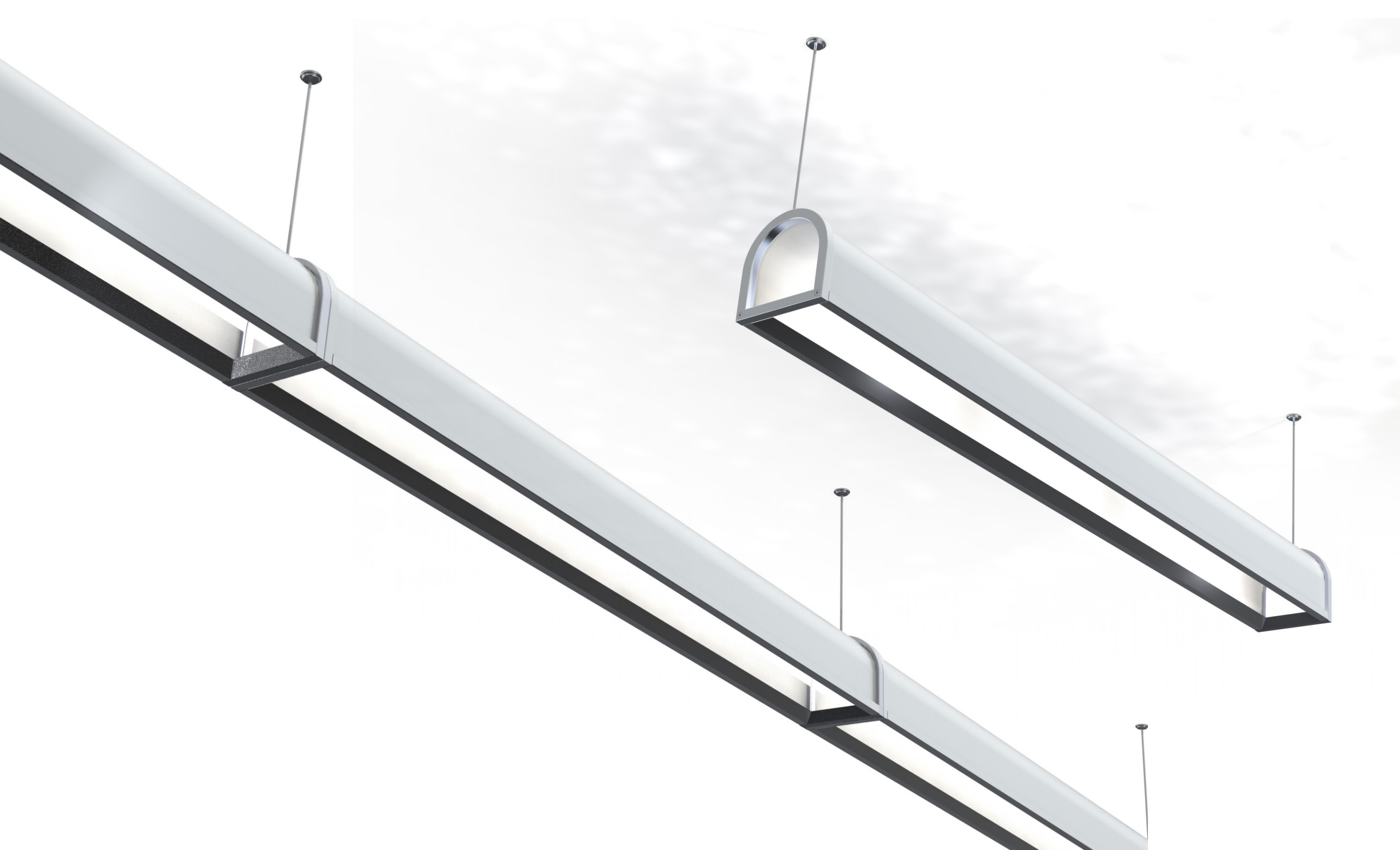
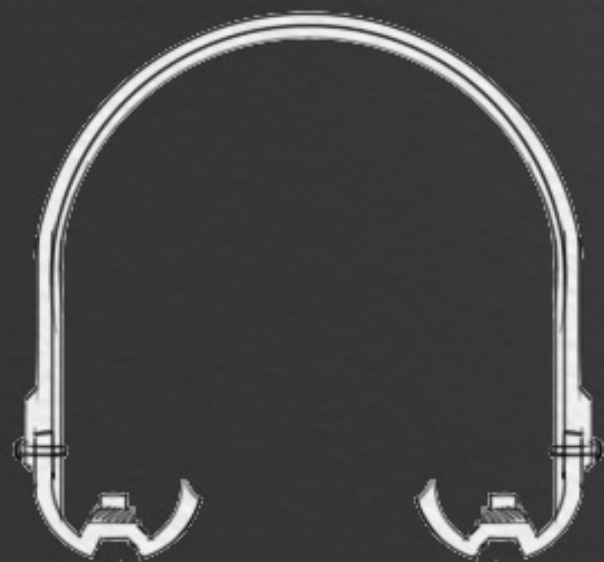


COMMERCIAL INDIRECT LED LIGHT FIXTURE

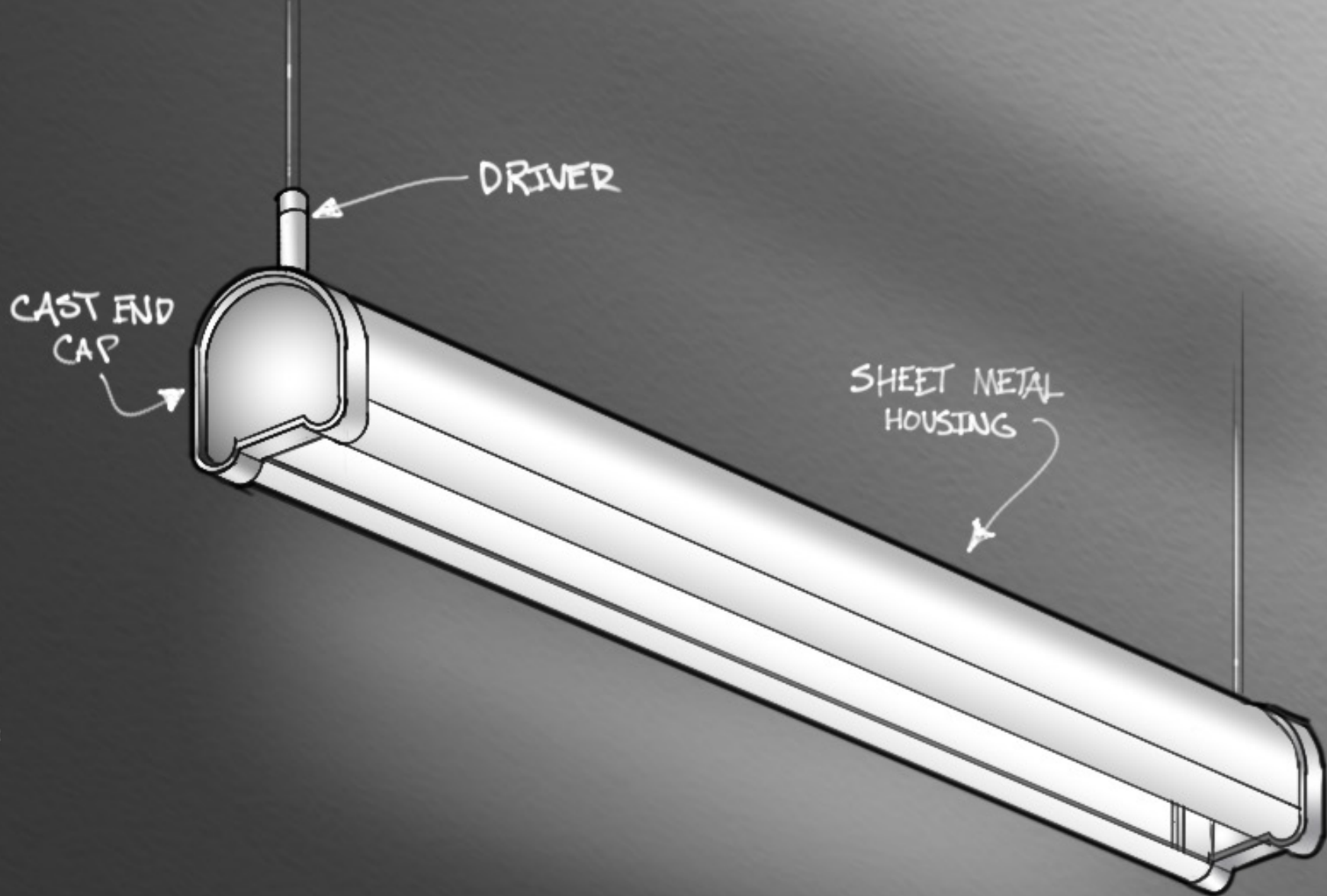
CONCEPT DEVELOPMENT







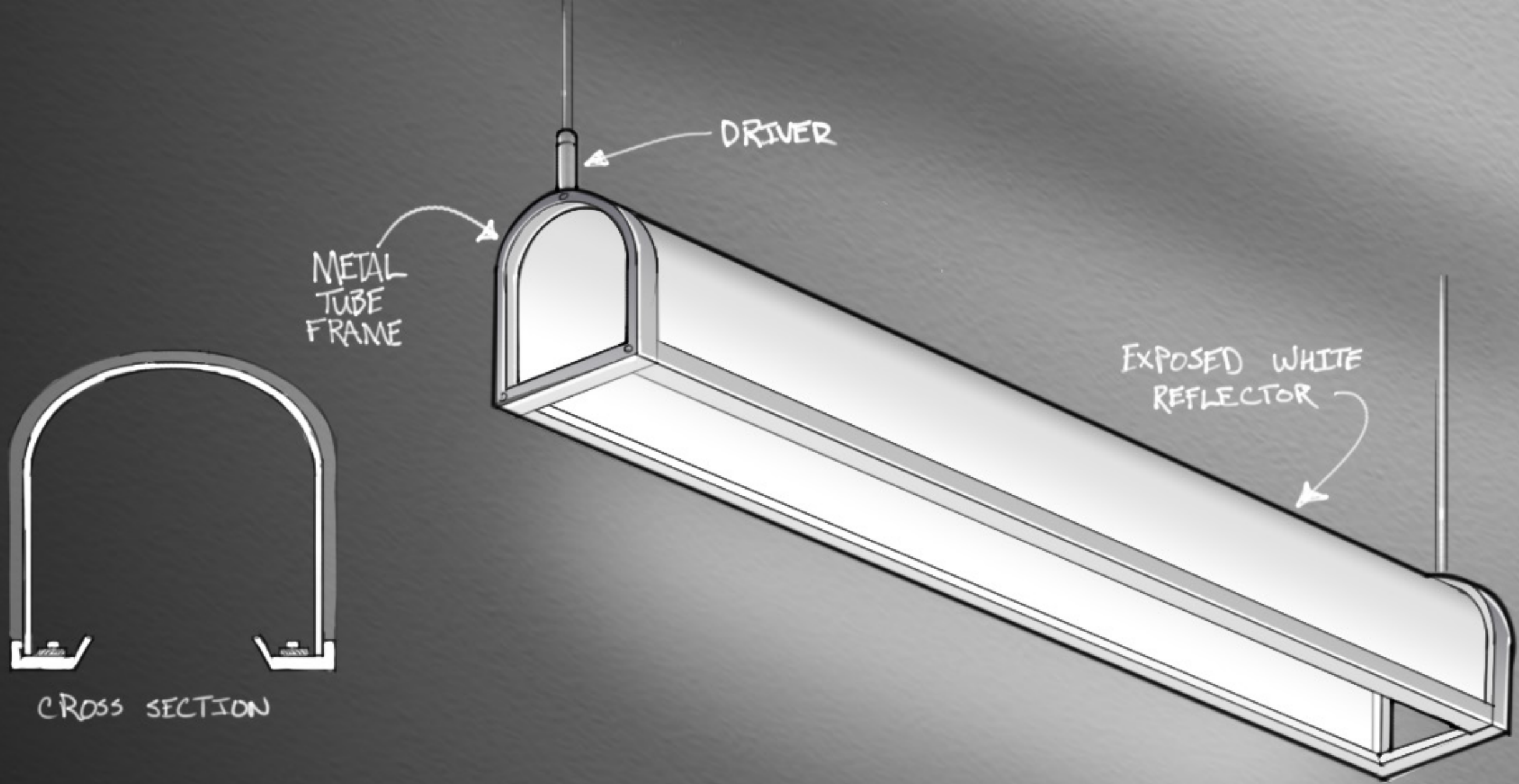
CROSS SECTION



DRIVER

CAST END
CAP

SHEET METAL
HOUSING

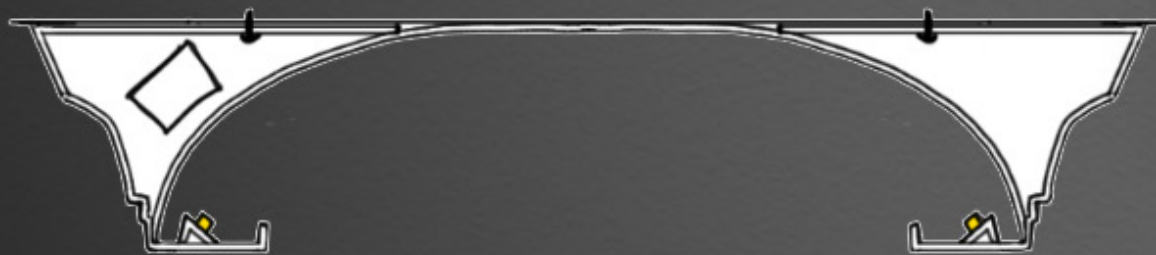


DRIVER

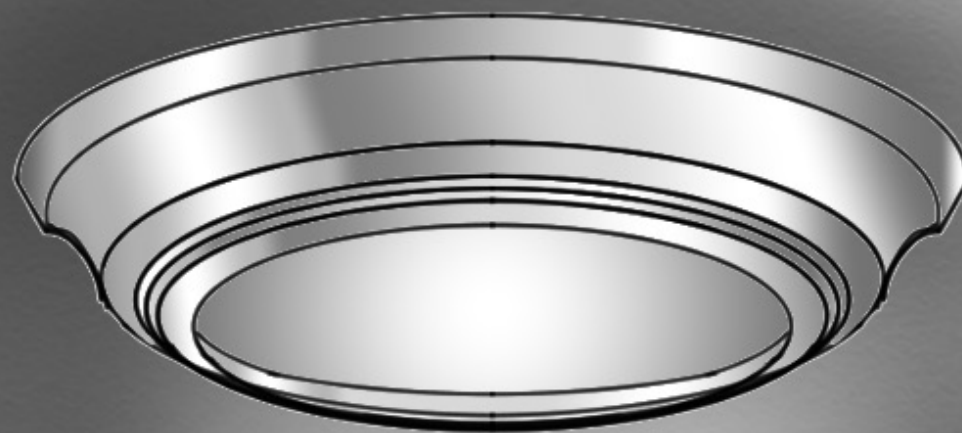
METAL
TUBE
FRAME

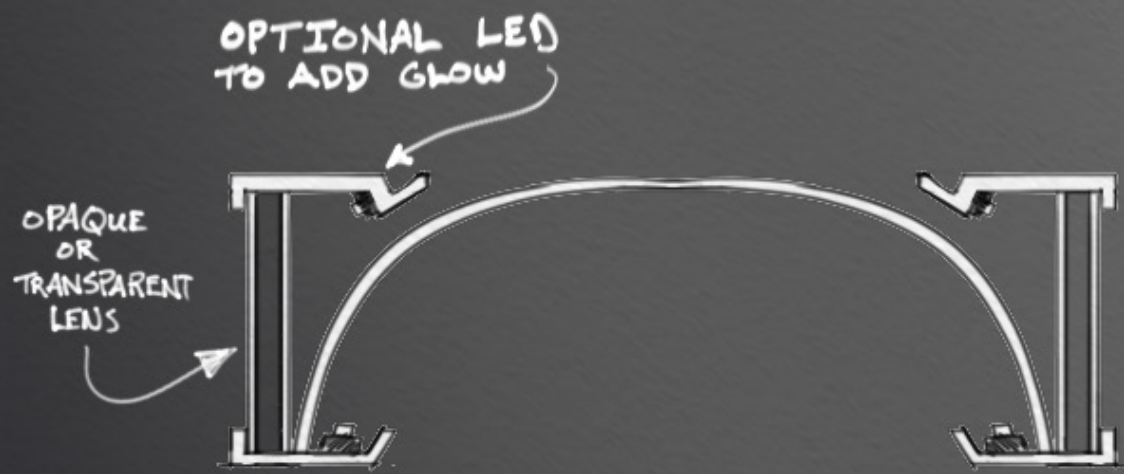
EXPOSED WHITE
REFLECTOR

CROSS SECTION



CROSS SECTION





CROSS SECTION

